

# OUTDOOR WATER-RESISTANT CCD CAMERA

**TC-32LB** 1/3" Color Camera (MID-RES)

**TC-34LB** 1/3" Color Camera (HI-RES)

**TB-32LB** 1/3" Color Camera (MID-RES)

## FEATURES



▶24-hour operational camera with perfect picture performance

▶Unique looks for outdoor / indoor application

▶Outdoor housing with camera, lens, bracket as a set

▶Auto-electronic shutter

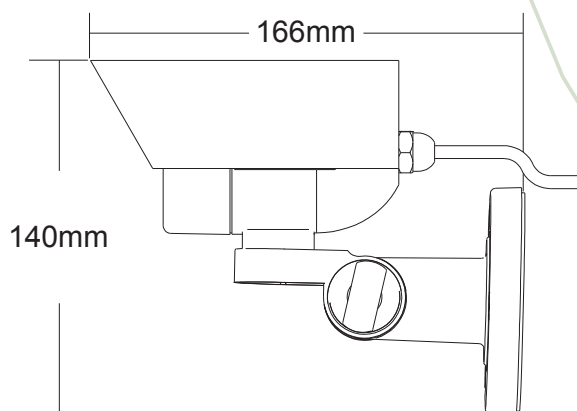
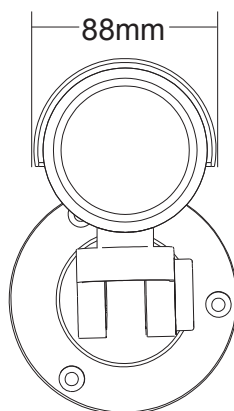
▶Auto white balance

▶Water resistant of aluminum die-cast pass IP 66 test

▶Automatic gain control (AGC)

▶Easy to install

## DIMENSION Unit: mm



# SPECIFICATION

Model	TC32LB (MID-RES)	TC34LB (HI-RES)	TB32RB
Image sensor device	1/3" color CCD sensor interline		1/3" B/W CCD sensor interline
Pixel effective	NTSC 510(H) x 492(V) PAL 500(H) x 582(V)	NTSC 771(H) x 492(V) PAL 753(H) x 582(V)	EIA 510(H) x 492(V) CCIR 500(H) x 582(V)
Scanning standard	2:1 Interlace NTSC / EIA standard 525 lines 30 frames /sec PAL / CCIR standard 625 lines 25 frames /sec		
Synchronizing system	Internal		
Horizontal resolution	More than 380 TV lines	More than 460 TV lines	More than 420 TV lines
Electronic shutter control	Auto Shutter, (1/60~1/100000) NTSC / EIA (1/50~1/100000) PAL / CCIR		
Gamma correction	0.45		
Minimum illumination	1.0 Lux. / F 1.2	2.0 Lux/F1.2	0.1 Lux/F2.0
Video output level	1Vp-p/75 ohms , composite		
Video S/N ratio	48 dB (AGC OF F )		
White balance	Auto ( 2000°K ~9500°K )		----
Back light compensation	Auto		
Operating temperature	-10°C ~ 50°C		
Storage temperature	-30°C ~ 60°C		
Power requirement	DC12V ± 10%		
Power consumption	DC12V 80mA ± 10% (Typical)		
Lens standard	4.0mm / F2.0		
Dimensions	166 (L) X 88 (W) X 140 (H) mm		
Weight	560 g		



## TAIWAN REGULAR ELECTRONICS CO., LTD.

NO.115, Sec.1, Yang Tong Road, Long Tan Hsiang, Tao Yuan Hsien, Taiwan R.O.C  
 Tel : 886-3-471-9108 Fax : 886-3-471-9111,471-9112  
 http : www.trc.com.tw E-mail : info@trc.com.tw