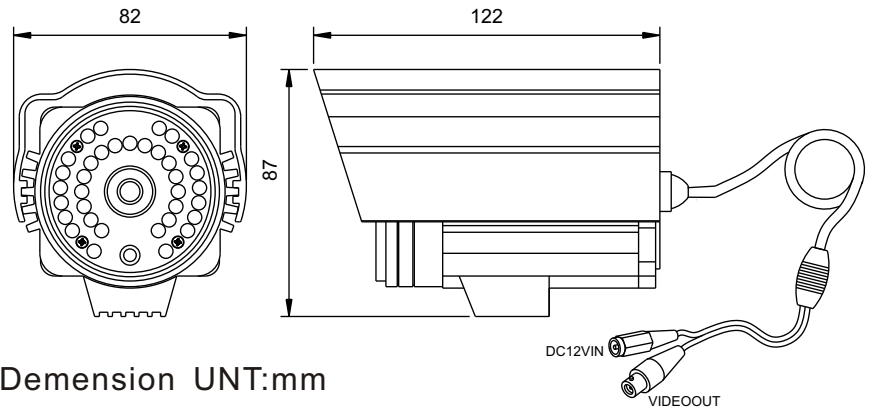




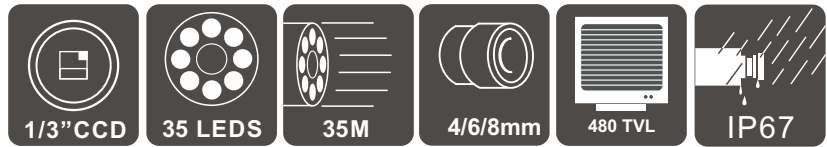
FUHO Infrared Color Camera

IR-926H



Demension UNT:mm

FEATURE



SPECIFICATIONS

MODE	IR-926H	
VIDEO SYSTEM	NTSC	PAL
PICK UP ELEMENT	1 / 3" SONY CCD IMAGE SENSOR (INTER LINE)	
IMAGE SIGNAL PROCESS	DIGITAL SIGNAL PROCESSING SYSTEM	
LENS MOUNT	4/ 6 / 8mm Lens	
NUMBER OF PIXEL	768(H)×494(V)	752(H)×582(V)
PICTURE ELEMENTS	APPROXIMATELY 380K	APPROXIMATELY 440K
HORIZONTAL RESOLUTION	MAX:480 TVL	
POWER SUPPLY	DC12V	
SYNCHRONIZATION	INTERNAL	
SCANNING SYSTEM	2 : 1 INTERLACE	
SENSITIVITY	0 LUX (IR ON)	
S/N RATIO	MAX:48dB	
AUTO GAIN CONTROL	ON	
BACK LIGHT COMPENSATION	OFF	
WHITE BALANCE	AUTO	
ELECTRONIC SHUTTER	NTSC:AUTO: 1/60~1/100,000s	PAL:AUTO: 1/50~1/100,000s
OUTPUT	1 Vp-p COMPOSITE VIDEO OUTPUT , 75 Ω	
IR LEDs	35 PCS	
IR RANGE	35M	
WAVELENGTH	850 nm	
OPERATING TEMPERATURE	- 5° C ~ +65° C	
DIMENSIONS (W ×D ×H)	82 x 87 x 122 mm	
WEIGHT	About 700g	