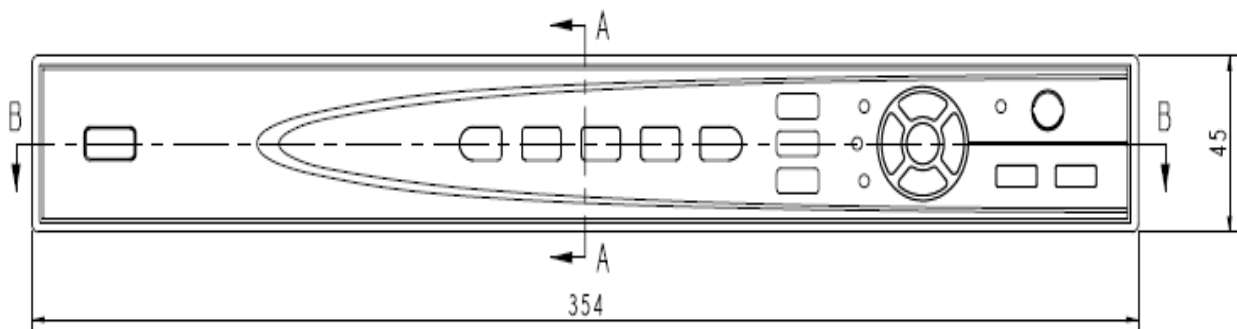


4CH H.264 Stand-Alone DVR



- * H.264 compression records at a lower bit rate for high quality playback, longer recording with less storage required
- * Support mobile phone live view via GPRS/CDMA/EDGE/3G net
- * Multitask processor for simultaneous recording, network surveillance and mobile phone live view
- * Support 4-channel playback at the same time, classification of inquire via seconds, convenient to index and record
- * Professional file system:
 - ① Avoid disk fragments among subsection recording
 - ② Protect private data with extreme security
 - ③ Supports SATA HDD of all capacity
- * User-friendly interface: 16 bit true color, semi-transparent graphical user interface with instruction hint on screen. Easier control with USB mouse
- * Suitable for fields as supermarkets, chain stores, community security or villa
- * Super compact design, low power consumption
- * Hi-speed backup/upgrade/record via USB2.0
- * Virus free Linux O/S, auto system upgrading
- * Unparalleled reliability for 24X7 operating

Specification

| Model | AV-6104 | AV-6104V |
|------------------------|---|---|
| O.S. System | Embedded Linux | |
| Compression Standard | H.264 | |
| Resolution | PAL: 704*576; NTSC: 704*480 | |
| Total FPS | PAL: 100fps@CIF (record)+ 100fps @CIF(playback)+ 25fps @CIF (net transmit) | |
| | NTSC: 120fps@CIF (record)+ 120fps @CIF(playback)+ 30fps @CIF (net transmit) | |
| Video Compression rate | CIF,HD1,D1 (Optional) | |
| Video Input | 4-CH, BNC, 1Vp-p/75ohm | |
| Composite Video Output | 2 channel, BNC, 1.0V p-p/75Ω | |
| Audio Compression | 8kHz*16bit, ADPCM | |
| Audio Input | 1-CH, RCA | |
| Audio Output | 1-CH, RCA | |
| Display | 1/4 Split windows, PAL: 704*576(D1); NTSC: 704*480(D1) | |
| Playback | 4 CH | |
| Recording Mode | Continuous, motion detection, time schedule | |
| Network Interface | RJ45 10M/100M | |
| PTZ Control | RS-485 | |
| Hard Disk Capacity | Up to 1TB Bytes , SATA HDDsx1 | |
| USB Port | 2 PCS (USB2.0 Mouse + USB2.0 Backup) | |
| VGA interface | NO | 1 VGA interface. support resolution: 800*600/60HZ,1024*768/HZ, 1280*1024/HZ |
| Alarm Input | NO | 4 contact or TTL/CMOS signal |
| Alarm Output | NO | 1 Normally Open, 1 Normally Closed relay output |
| Network Function | Support GPRS/CDMA/EDGE/3G | |
| Power Supply | DC 19V/2.1A | |
| Operating Temperature | 0°C-- +55°C | |
| Working humidity | 10%--90% | |
| Dimension | 354(W)×230(D)×45(H) | |