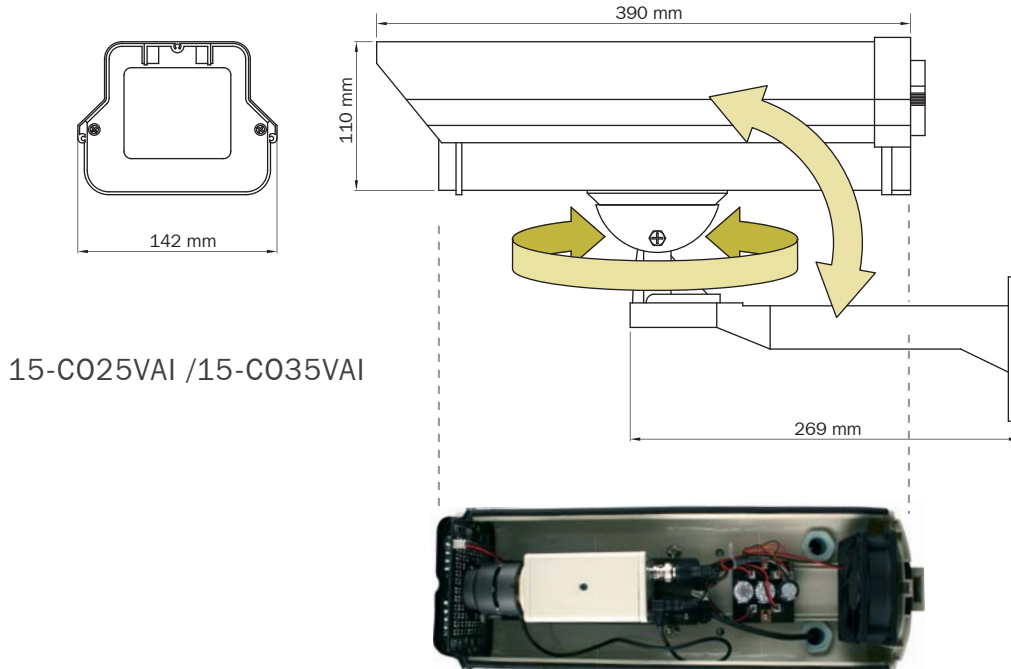


CAMERA

Camera "O" Series



15-C025VAI /15-C035VAI

SPECIFICATION

Items	15-C025VAI	15-C035VAI
Type	Colour / Monochrome	
Pick Up Device	1/3" Colour SONY CCD	
Picture Elements	NTSC: 510(H) x 492(V); PAL: 500(H) x 582(V)	NTSC: 768(H) x 494(V); PAL: 752(H) x 582(V)
Horizontal Resolution	420 TV Lines	550 TV Lines
Mini Illumination	0 Lux at IR LED on	
Vertical Frequency	EIA / NTSC: 60 Hz; CCIR; PAL: 50 Hz	
Scanning System	2 : 1 Interlace	
S/N Ratio	50dB	
Electronic Shutter	NTSC: 1/60 ~ 1/120,000 sec; PAL: 1/50 ~ 1/120,000 sec	
White Balance	Switchable	
Back Light Compensation	Switchable	
Auto Gain Control	Switchable	
IR LED	84 pcs (850nm)	
Lens	6~15 mm Auto IRIS	
Video Output	1Vp-p Composite Video (75Ω)	
Gamma	0.45	
Waterproof	IP66	
Dimensions	390(L) x 142(W) x 110(H) mm	
Weight	1,500 g	
Power Supply	DC12V±10%	
Power Consumption	1600mA (Max)	
Storage Temperature	-30°C ~ 60°C	
Operating Temperature	-10°C ~ 50°C	